



---

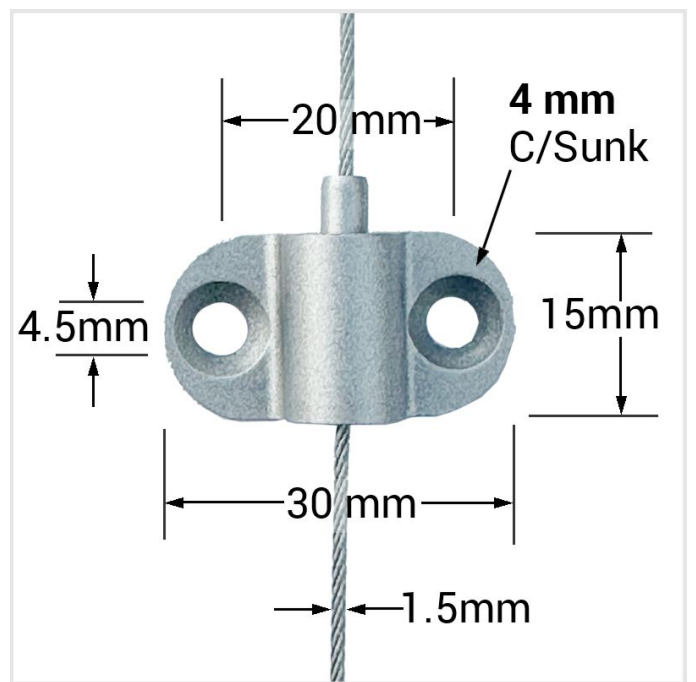
## Panel fixing clips, onto vertical wires

### Short Description

---

- Butterfly brackets are used to attach panels onto vertical wires
- Panel fixing clips suit 1.5mm wire rope with panels that can accept screws
- Finger tip adjustment of panel height makes for rapid installation
- Small neat design belies the strength of the strong locking mechanism

## Product Images



## Description

### Panel fixing clips attach panels to vertical wires

Butterfly brackets are neat panel fixing clips for attaching graphic panels, display boards, acoustic panels and the like onto vertical wires. The small butterfly-shape panel fixing clips are screwed onto the back or sides of a panel. They are then threaded onto pre-installed 1.5mm diameter hanging wires, spaced apart at the correct centres to match the panel fixing brackets.

- Panel hanging brackets are quick to install with an inbuilt cable gripper mechanism.
- Fine height adjustment is made easy with the finger-release clutch built into each fitting.
- These panel fixing clips are made from a satin finish alloy casting (nickel plated).
- The panel hanging brackets are sold singly, but are generally used in pairs or more often in fours (near the corners of the panel).
- Hanging wires can be fixed to the wall or to the ceiling, with the weight of the panel acting as tensioner.
- Alternatively, we offer floor-to-ceiling kits where the vertical wire can be tensioned – select according to your application. See below.

Each fitting can support a 10kg load provided that the panel material is soundly receptive to screw fixings and the hanging wire is adequately anchored to the wall, soffit or ceiling. With 4 panel fixings we recommend the panel weight is limited to 25kg to allow a good margin of safety.

## Additional Information

Product Dimensions	The Butterfly bracket is 30mm wide by 15mm high. See diagram in the image gallery for full dimensions.
Assembly and Installation	Use two 4mm screws to attach each bracket to the panel, ensuring the brackets are aligned accurately and spaced apart to suit the corresponding wire rope positions.
Delivery and Returns	<ul style="list-style-type: none"> <li>• We offer a choice of delivery options tailored to the goods selected and your location, calculated for you automatically in the Checkout. When feasible, you will be offered options for Free, Economy or Next Day delivery.</li> <li>• Any product returned by the purchaser must be unused and in its original packaging, which should be unmarked. If goods are received damaged or faulty we will take care of the problem.</li> <li>• For detailed information about Delivery charges or Returns and refund policies, please click on the links below.</li> </ul>
Include in Google Feed	No
Postable	No
Small parcel	No
Oversize	No

