



---

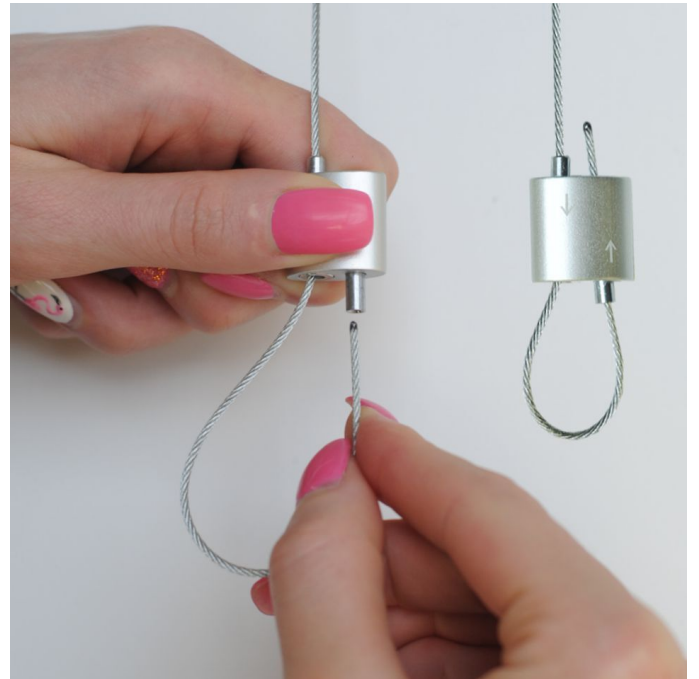
## Wire rope grippers

### Short Description

---

- Smart wire rope gripper for multiple building services applications
- Strong and safe for loads up to 20kg using 1.5mm wire rope
- Quick and easy installation with no tools required
- 2-way height adjustment using spring loaded push release buttons

## Product Images



## Description

---

### Wire Rope Grippers

**Versatile wire rope gripper for use within many building services and similar applications.** The Urban Trapeze is strong and safe for up to 20kg per fitting. This high quality wire rope grip works by creating a fully adjustable loop in 1.5mm hanging wire, making suspending any services quick and easy.

When an aesthetic finish is important to the client, a smart wire gripper available in silver and black versions, offering a better choice than fittings with an industrial appearance. The Urban Trapeze is a more attractive adjustable wire hanger than a Gripple B-Lock, but with similar functionality.

- This wire gripper lends itself to many building services application well – appealing to both the client and installer.
- An instant install, requiring no tools, saves time and money for the overall project.

### Neat appearance and easy installation

- The sleek design wire rope gripper is perfect when services are on show to create a neat and professional appearance.
- The cable hanging gripper can be used when supporting ductwork, cable trays, trunking, plant and equipment.
- Rapid suspension of egg crate ceilings, architectural features, light fittings, ceiling sculptures and decorations is with accomplished with ease.

### Choice of colour

The silver Urban Trapeze has a stylish satin finish and is suitable for use with standard galvanized wire rope (suited to 1.2mm - 2.0mm diameter). We supply 1.5mm wire rope in reels or in various pre-cut lengths, complete with ceiling attachment fittings for every situation.

Our black wire roper gripper has a smart matte black finish. This can be paired with our range of black cable hanging kits. Black wire and fittings are on trend in many contemporary spaces.

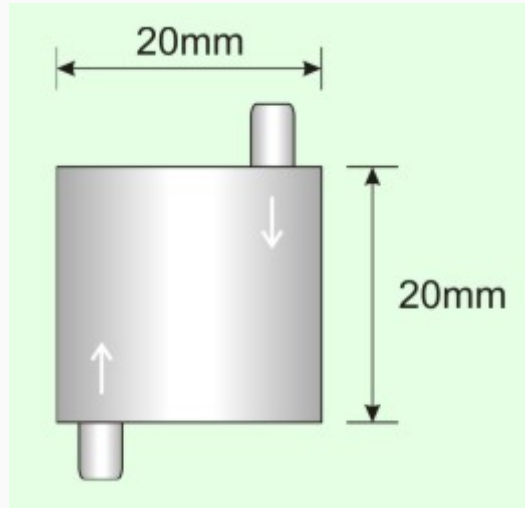
## Additional Information

### More Information

Urban Trapeze is highly durable with stainless steel internal components and an alloy casing but is not recommended for salt laden environments or indoor swimming pools.

The stated 20kg safe working load is based on allowing a 5:1 safety factor. In some situations a 3:1 safety factor may be acceptable, permitting a heavier load. When a piece of equipment is installed using four wires, the rated load is safe for up to 80kg provided that the weight is evenly distributed.

### Product Dimensions



### Assembly and Installation

Decide on a wire length and ceiling fixing method to requisition suitable wires. Several options are shown elsewhere on our website (see links to Related Products at the foot of this page).

- Insert wires in the direction of the arrows printed on the component.
- The end of the wire must be cut cleanly without any frays - use sharp [wire cutters](#) intended for the purpose.
- Slide the Urban Trapeze up the wire to the approximate required height.
- Insert the tail of the wire up through the other entry port and tighten to create the desired size loop.
- Depress the spring loaded entry buttons with light finger pressure to release the internal locking mechanism. This enables final height adjustment (or disassembly).

### Delivery and Returns

- We offer a choice of delivery options tailored to the goods selected and your location, calculated for you automatically in the Checkout. When feasible, you will be offered options for Free, Economy or Next Day delivery.
- Any product returned by the purchaser must be unused and in its original packaging, which should be unmarked. If goods are received damaged or faulty we will take care of the problem.
- For detailed information about Delivery charges or Returns and refund policies, please click on the links below.

Include in Google Feed	Yes
Postable	No
Small parcel	No
Oversize	No

